

# IRM®-T WATERMANAGER

Rainwater changeover system



rethinking water



CERTIFICAAT



## PRODUCT DESCRIPTION

The IRM®-Twatermanager is a plug-in, compact installation for rainwater use in single-family homes. The break tank for drinking water supply is in accordance with EN1717 type AB. Content 7 liters. The IRM®-T Watermanager has a fully automatic control system. The motor-controlled ball valve provides for the switch between rainwater and drinking water operation.

Control provides an automatic drinking water refreshment system that regularly switches the system to drinking water. For example, the contents of the break tank are regularly updated and prevent the tap water in the drinking water pipe from being idle for too long. In the absence of rainwater, the system automatically switches to drinking water by means of the float with a 20 meter cable length. The IRM®-T Watermanager is equipped with a sound-proof EPP housing. The IRM®-T Watermanager is suitable for wall mounting. The device is KIWA, Belgaqua and DVGW certified.

## SCOPE

The system can be used for the use of filtered rainwater for flushing toilets, connecting a washing machine and an outdoor tap. Also suitable for continuous consumption such as sprinkling. The appliance is suitable for wall mounting

## TECHNICAL DATA

Height A in mm:	597
Width B in mm:	665
Depth C in mm:	365
Drinking water connection D:	3/4"
Suction pipe E:	1"
Emergency overflow F in mm:	Ø75
Volume breaktank in liters:	7

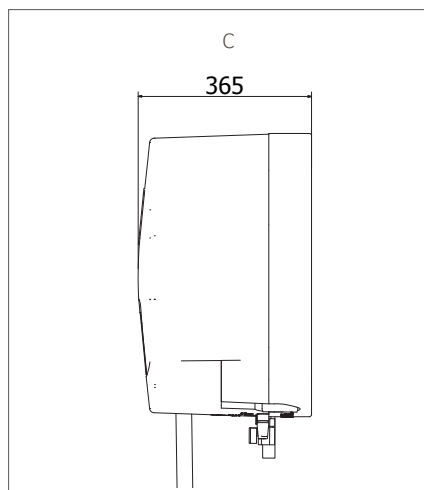
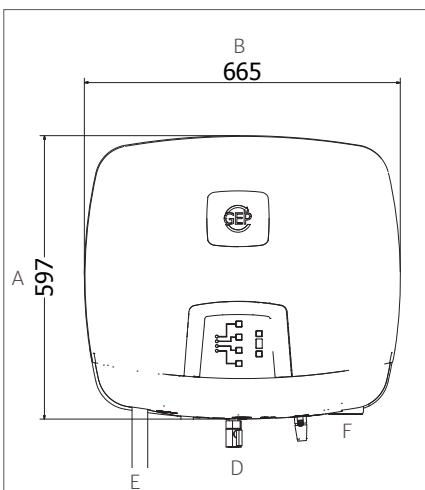
## TECHNICAL SPECIFICATIONS IRM®-T

Voltage in V:	230
Max. Power in Watt:	1.350
Max. debiet in liter/min:	90
Leeggewicht in kg:	15

## MATERIAL

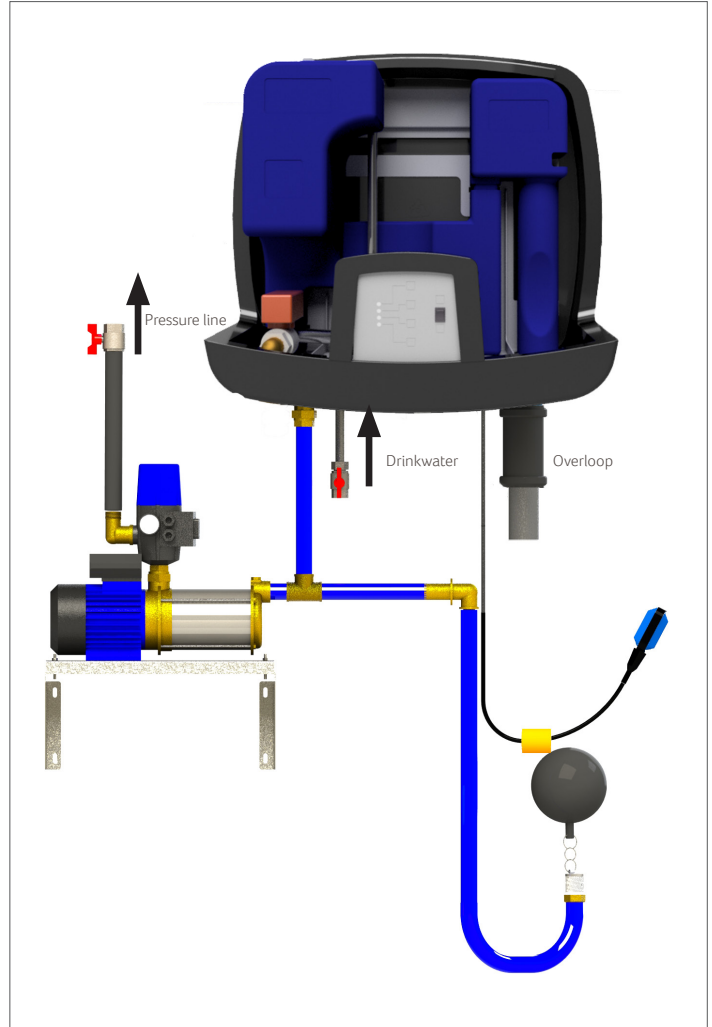
Name	Material
Sound insulating hood:	EPP
Breaktank:	HDPE
Press, suction side:	Messing
Electro cable pump:	3 aderig 1,00 mm <sup>2</sup> H07Rn-F

## TECHNICAL DRAWINGS



## PRODUCT

## CONNECTION DIAGRAM



## OPTIONS

### Water lock

If there is no Emergency overflow connection present, the device can be extended with a water seal, which closes the drinking water supply with a leaky drinking water valve.

### Automatic time-controlled filter cleaner 1/2 "

Set consisting of: adjustable automatic timer, solenoid valve 1/2 " including 1,5m cable and plug. Digital display.

## SCOPE OF DELIVERY

IRM@-T Watermanager is supplied with: sound-insulating foam hood, flexible stainless steel hoses for connection of the drinking water, suction and Druckleitung including shut-off valves, float switch with 20 meter cable and cable clamp for tank mounting, mains cable of 2 meters, wall bracket with fastening Material, rubber resonance strip and installation instructions.

## ORDERING INFORMATION

Art nr	NAME	PG
402118	IRM@-T Watermanager	1
402138	Water lock	1
401155	Automatic time-controlled filter cleaner 1/2 "	2